

»Features

- Diameter M18 x1mm
- Supply voltage 12-30 VDC
- Short circuit protected
- Conforming to IP66
- Fast response



»Specifications

Supply Voltage	DC10~30V, Ripple (P---P):10% Max
Current Consumption	40 mA. Max
Max Output Current	100 mA. Max
Response Time; Switching Frequency	Less Than 3.0 mS (ON+OFF); 333 Hz
Circuit Protection	1. Output Over Current Protection
	2. Reverse - Polarity Protected
	3. Interference Suppression
Output Type	NPN or PNP Open Collector
Operation Mode	Light-On, Dark-On Selectable by Control Cable (White)
Indicator	Yellow LED on, When Light is Received
Ambient Temperature	Operating Temperature: -25°C ~55°C
Protection Degree	IP66
Extraneous Light Immunity	Lamplight: 3000Lux; Sunlight: 10000 Lux Max
Adjustable Sensitivity	YES—By Potentiometer
Cable	Length: 2M, Material: PVC, Color: Gray

»Product Selection

WO- □ □ □ □ □
1 2 3 4 5

1.TYPE

Types	Detection Range
T Thru-Beam.	8M
R Retro-Reflective.	2M (M46mirror),3M (M51mirror)
D Diffuse Reflective.	Check sensing distance from code 5.

2. Output Types

N	NPN open collector
P	PNP open collector

3.Material of Body

P	Plastic
M	Metal

4.Outlet Mode for Cables

W1	Horizontal
W2	Vertical
W3	Connected with Socket

5.Sensing Distance(only Diffuse Reflective)

S	20 cm
U	40cm
L	80cm
F	Fixed Focus 30mm

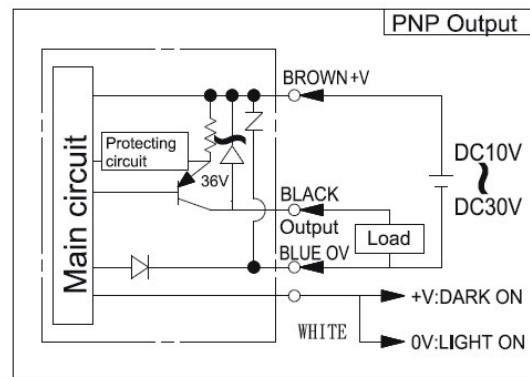
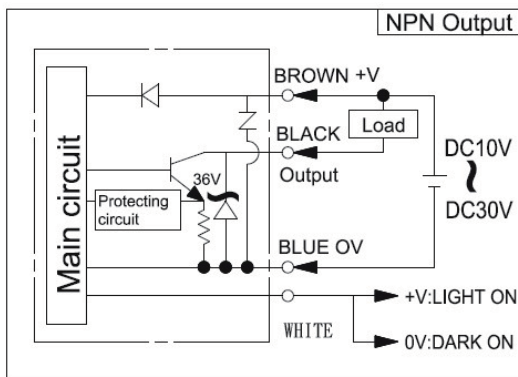
HIGHLY

D2

Design, specifications are subject to change without notice.

Model Item / Operating principle	Type	Detecting distance	WO Series DC Type	
			NPN Output	PNP Output
Thru-Beam 透過型		0-8M	WO-TNPW1 WO-TNMW1	WO-TPPW1 WO-TPMW1
Retro-Reflective 鏡片反射型		0-2M	WO-RNPW1 WO-RNMW1	WO-RPPW1 WO-RPMW1
Diffuse Reflective 擴散反射型		0-20cm	WO-DNPW1S WO-DNMW1S	WO-DPPW1S WO-DPMW1S
		0-40cm	WO-DNPW1U WO-DNMW1U	WO-DPPW1U WO-DPMW1U
		0-80cm	WO-DNPW1L WO-DNMW1L	WO-DPPW1L WO-DPMW1L
Diffuse Reflective 限定反射型		0-30mm	WO-DNPW1F WO-DNMW1F	WO-DPMW1F WO-DPPW1F

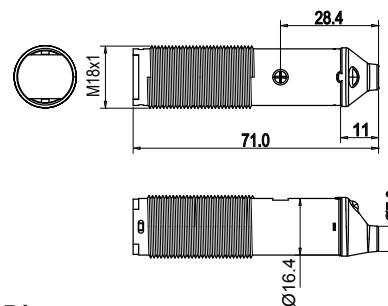
»Wiring Diagram



Unit: mm

»Dimensions

WO Series



»Reflector

M46



M51



HIGHLY

D3

Design, specifications are subject to change without notice.